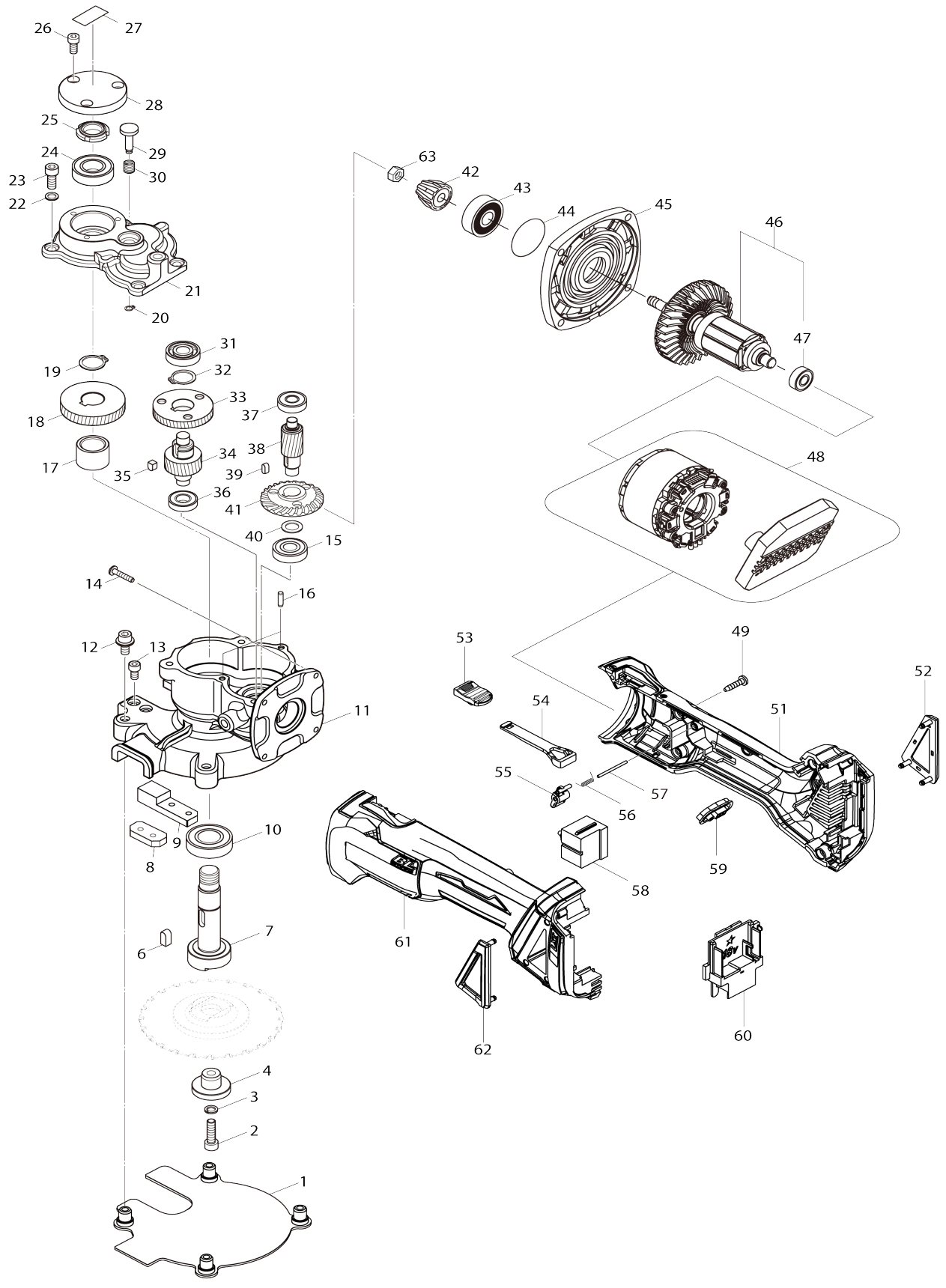


Model No.DSC250 CORDLESS STEEL ROD CUTTER



Model No.DSC250 CORDLESS STEEL ROD CUTTER

| Item No. | Parts No. | Description | Interchangeability | Q'ty | New/Old | Note1 | Note2 |
|----------|------------|-----------------------------|--------------------|------|---------|-------|-------|
| 001 | SC09001030 | TIPPED SAW COVER | | 1 | | | |
| 002 | SC07513090 | HEX. SOCKET HEAD BOLT M6X22 | | 1 | | | |
| 003 | SC07651310 | SPRING WASHER 6 | | 1 | | | |
| 004 | SC03510850 | CHIPSAW GUIDE | | 1 | * | | |
| 004-1 | SC03510960 | BLADE GUIDE | S | 1 | | | |
| 006 | SC03701230 | KEY | | 1 | | | |
| 007 | SC03510810 | SPINDLE | | 1 | | | |
| 008 | SC03510830 | MATERIAL GUIDE B | | 1 | | | |
| 009 | SC03510880 | MATERIAL GUIDE A | | 1 | | | |
| 010 | SC07101340 | BALL BEARING 6003VV | | 1 | | | |
| 011 | SC03252320 | GEAR CASE | | 1 | | | |
| 012 | SC07541020 | GT CAP SCREW M6X14 | | 4 | | | |
| 013 | SC07512010 | HEX.SOCKET HEAD BOLT M5X10 | | 4 | * | | |
| 013-1 | SC07512010 | HEX.SOCKET HEAD BOLT M5X10 | O | 4 | | | |
| 014 | SC07554120 | TAPPING SCREW M4X30 | | 4 | | | |
| 015 | SC07101010 | BALL BEARING 6000Z | | 1 | | | |
| 016 | SC06601720 | PIN 4X20 | | 2 | | | |
| 017 | SC03510860 | GEAR29 COLLAR | | 1 | | | |
| 018 | SC03607830 | GEAR29 | | 1 | | | |
| 019 | SC07410100 | CIRCLIP S17 | | 1 | | | |
| 020 | SC07411250 | CIRCLIP STW5 | | 1 | | | |
| 021 | SC03252330 | GEARCASE COVER | | 1 | | | |
| 022 | SC00000066 | WASHER 6 | | 4 | | | |
| 023 | SC07513020 | BOLT HB6X15 | | 4 | | | |
| 024 | SC07000050 | BALL BEARING 6002VV | | 1 | | | |
| 025 | SC07700240 | FINE U NUT M15X1 | | 1 | | | |
| 026 | SC00000059 | HEX. SOCKET HEAD BOLT M5X12 | | 3 | * | | |
| 026-1 | SC00000059 | HEX. SOCKET HEAD BOLT M5X12 | O | 3 | | | |
| 027 | SC08014760 | CAUTION LABEL | | 1 | | | |
| 028 | SC03252370 | SPINDLE COVER | | 1 | | | |
| 029 | SC03510840 | LOCK BUTTON | | 1 | | | |
| 030 | SC04008350 | LOCK SPRING | | 1 | | | |
| 031 | SC07101010 | BALL BEARING 6000Z | | 1 | | | |
| 032 | SC00000378 | CIRCLIP S16 | | 1 | | | |
| 033 | SC03607810 | GEAR41 | | 1 | | | |
| 034 | SC03607820 | GEAR16 | | 1 | | | |
| 035 | SC03701660 | GEAR16 KEY | | 1 | | | |
| 036 | SC07104010 | BALL BEARING 6900ZZ | | 1 | | | |
| 037 | SC07000040 | BALL BEARING 608VV | | 1 | | | |
| 038 | SC03607800 | GEAR13 | | 1 | | | |
| 039 | SC03701670 | GEAR KEY | | 1 | | | |
| 040 | SC03301660 | GEAR13 WASHER | | 1 | | | |
| 041 | 227502-3 | SPIRAL BEVEL GEAR 39 | | 1 | * | | |
| 041-1 | 227960-3 | SPIRAL BEVEL GEAR 39 | S | 1 | | | |
| 042 | 221442-7 | SPIRAL BEVEL GEAR 19 | | 1 | * | | |
| 042-1 | 227997-0 | SPIRAL BEVEL GEAR 19 | S | 1 | | | |
| 043 | 210042-8 | BALL BEARING 629LLB | | 1 | | | |

| | | | | | | |
|-------|------------|------------------------------------|---|---|---|--|
| 044 | 213445-5 | O-RING 26 | | 1 | | |
| 045 | 319214-3 | GEAR HOUSING COVER | | 1 | | |
| 046 | 519354-9 | ROTOR ASS'Y | | 1 | * | |
| 046-1 | 519354-9 | ROTOR ASS'Y | O | 1 | * | |
| D10 | | INC. 47 | | | | |
| 046-2 | 519378-5 | ROTOR ASS'Y | O | 1 | * | |
| D10 | | INC. 47 | | | | |
| 046-3 | 510329-1 | ROTOR ASS'Y | < | 1 | | |
| D10 | | INC. 47 | | | | |
| 047 | 210034-7 | BALL BEARING 607LLB | | 1 | * | |
| 047-1 | 210169-4 | BALL BEARING 607LLB | < | 1 | | |
| 048 | 629176-0 | STATOR COMPLETE | | 1 | * | |
| 048-1 | 629B61-9 | STATOR | S | 1 | | |
| 049 | 266326-2 | TAPPING SCREW 4X18 | | 5 | | |
| 051 | 187997-1 | MOTOR HOUSING SET | | 1 | | |
| D10 | | INC. 61 | | | | |
| 052 | 455450-8 | DUST COVER R | | 1 | | |
| 053 | 455447-7 | SWITCH KNOB | | 1 | | |
| 054 | 455446-9 | SWITCH LEVER | | 1 | | |
| 055 | 455448-5 | LEVER | | 1 | | |
| 056 | 231679-8 | TORSION SPRING 2 | | 1 | | |
| 057 | 268330-7 | PIN 2 | | 1 | | |
| 058 | 650579-7 | SWITCH 1246.3223 | | 1 | | |
| 059 | 142901-7 | INDICATOR PANEL COMPLETE | | 1 | | |
| 060 | 643874-2 | TERMINAL | | 1 | | |
| 061 | 187997-1 | MOTOR HOUSING SET | | 1 | | |
| D10 | | INC. 51 | | | | |
| 062 | 455449-3 | DUST COVER L | | 1 | | |
| 063 | 252186-8 | HEX. NUT M6 | | 1 | | |
| 064 | 620K33-1 | CONTROLLER | S | 1 | | |
| 065 | 652119-7 | PAN HEAD SCREW M2X6 | S | 6 | | |
| A01 | SC09002890 | CUTTER | | 1 | * | |
| A01-1 | SC09003260 | FLANGELESS BLADE | S | 1 | * | |
| A01-2 | E-11097 | EFFICUT METAL FOR METAL CUT TIN | < | 1 | | |
| A02 | SC08200100 | LONG HEX WRENCH M5 | | 1 | | |
| A03 | SC08106610 | DUST CASE | | 1 | | |
| A04 | SC09009190 | PLASTIC CASE SET | | 1 | | |
| A05 | 153489-2 | GRIP 36 COMPLETE | | 1 | | |
| A06 | SC09004240 | ADAPTER | | 1 | | |
| A07 | SC09030550 | SPACER | | 1 | | |
| D10 | | INC. 4,A06 | | | | |

Please state Parts No. when your order.

Print Date 02/23/2024